

aluminium stairnosings

All profiles are ex stock

All profiles are available in mill finish, satin gold, satin bronze or mirror flect finishes. Please enquire re delivery.

Non stock profiles available on request subject to minimum quantities.

SN range for use with vinyl, lino and lightweight carpets.

Insert to be cleaned with morley stairnosing and skirting cleaner, MC001

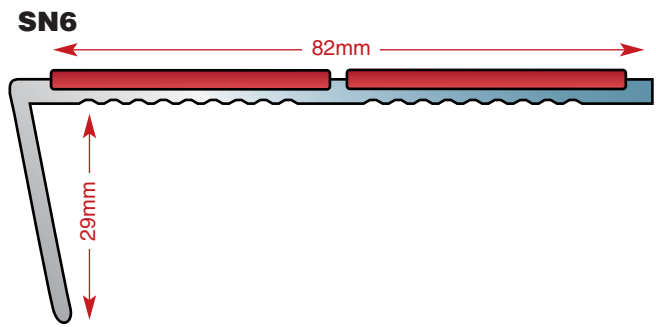
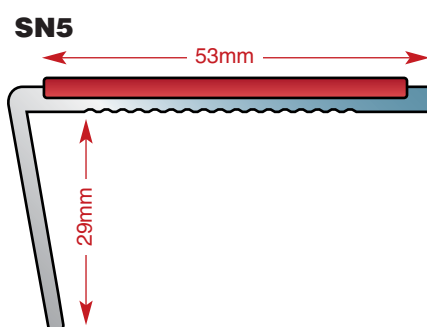
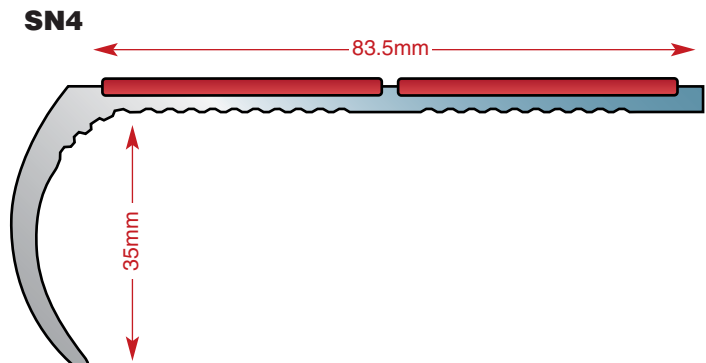
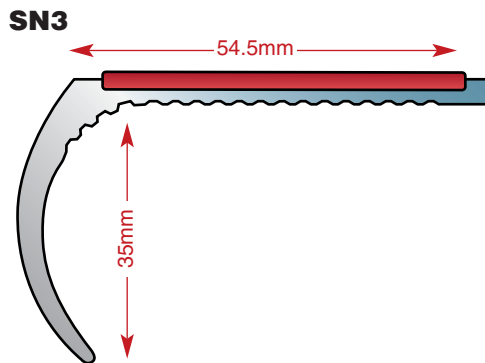
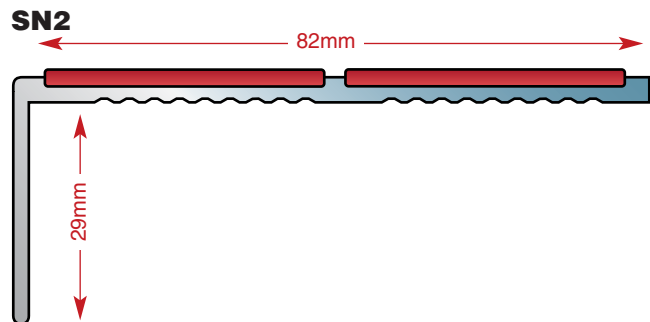
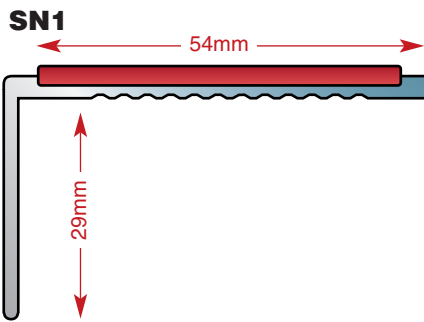
Gauge: 3.5mm

Stock Lengths: 3220mm, 2750mm, 2440mm

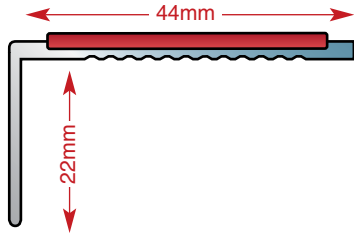
Profiles shown full size

For insert colours see page 4

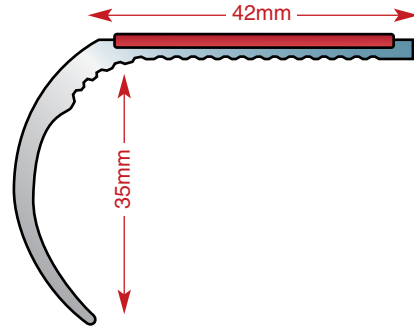
standard range



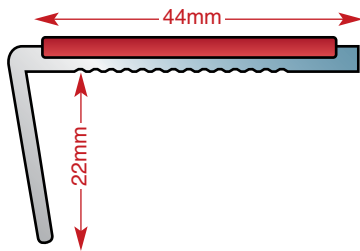
SN7



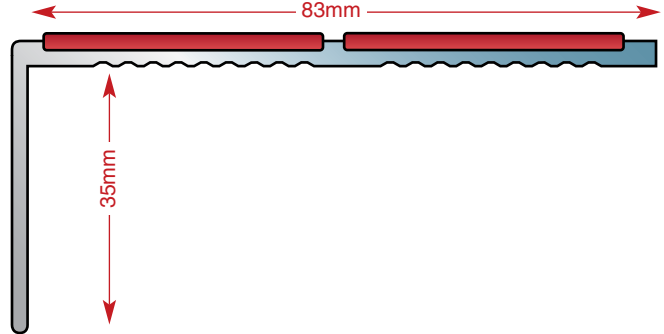
SN8



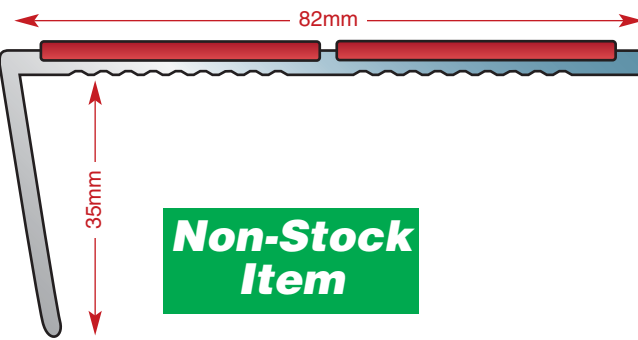
SN11



SN10



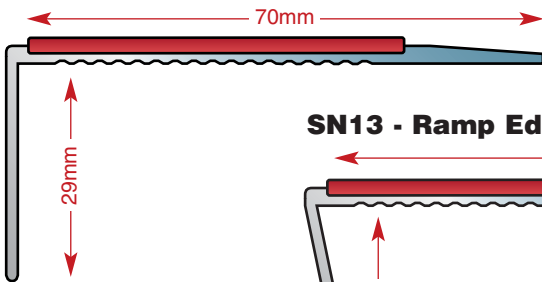
SN14



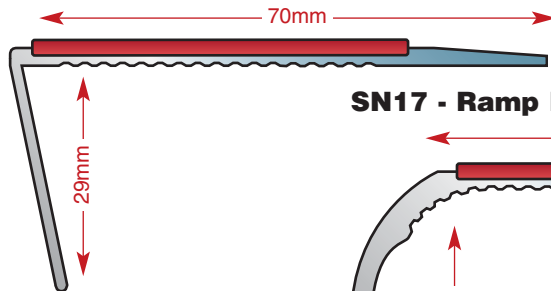
Non-Stock Item

ramp profiles

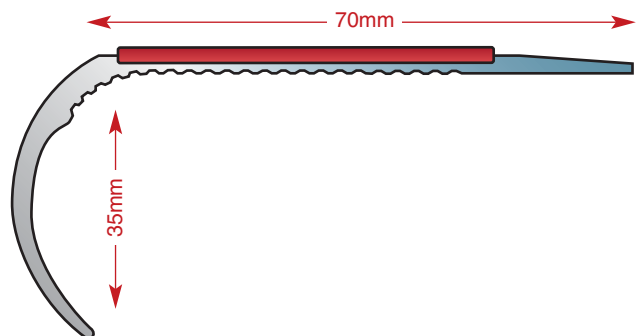
SN9 - Ramp Edge



SN13 - Ramp Edge



SN17 - Ramp Edge



aluminium stairnosings

All profiles are ex stock

All profiles are available in mill finish, satin gold, satin bronze or mirror flect finishes. Please enquire re delivery.

Non stock profiles available on request subject to minimum quantities.

HN range for use with medium weight carpets and heavy duty smooth flooring.

Insert to be cleaned with morley stairnosing and skirting cleaner, MC001.

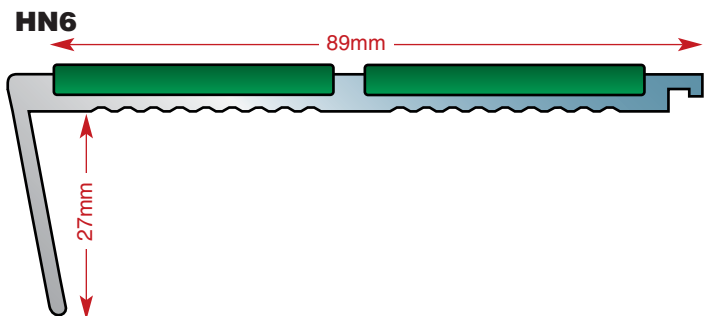
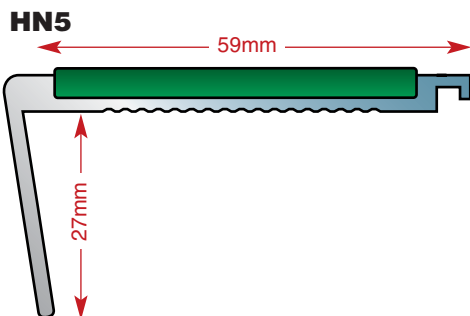
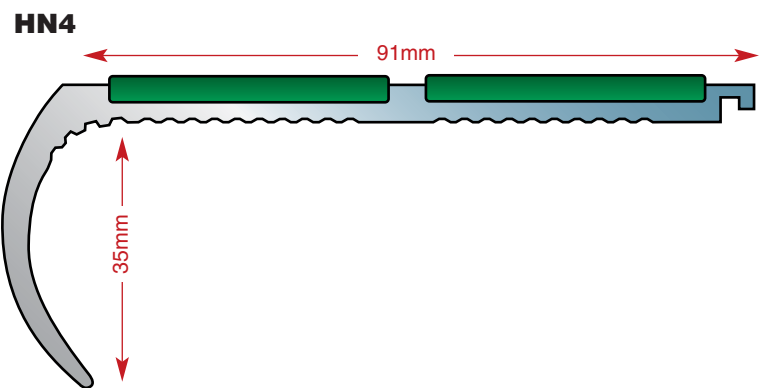
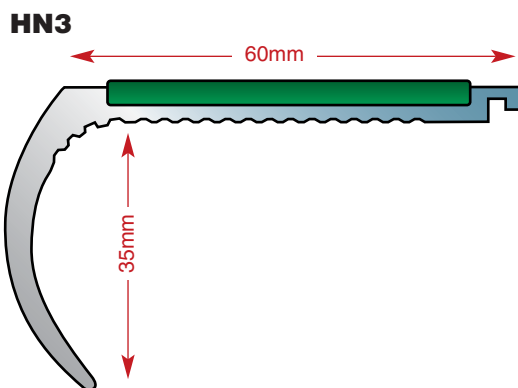
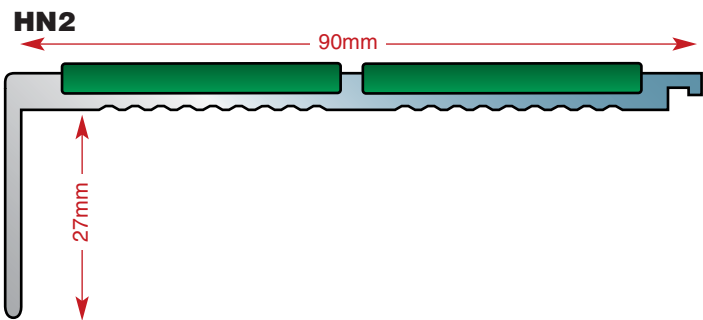
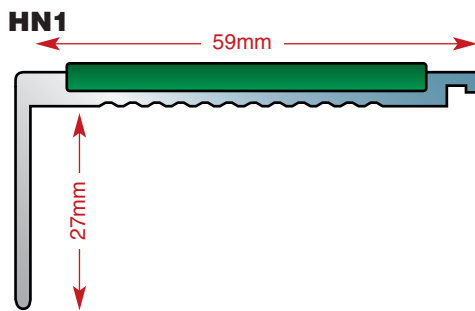
Gauge: 5mm

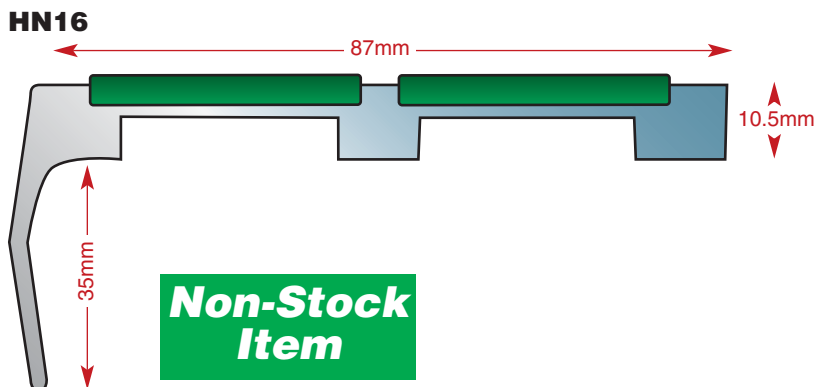
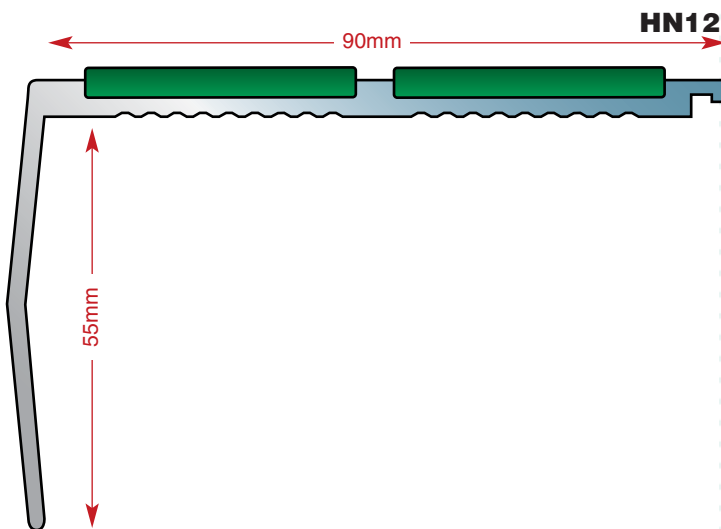
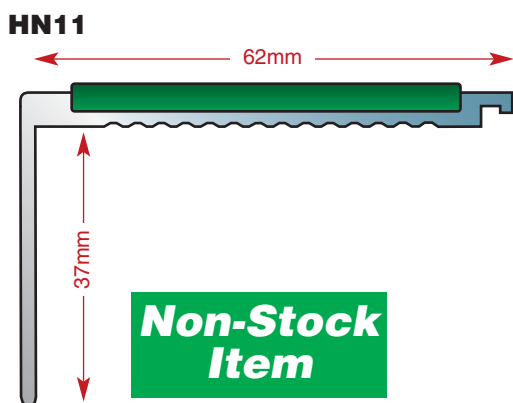
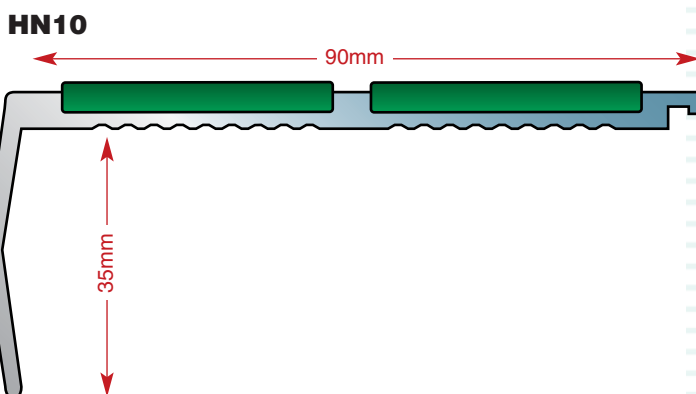
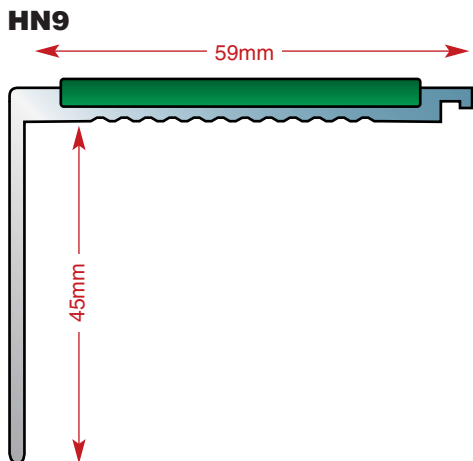
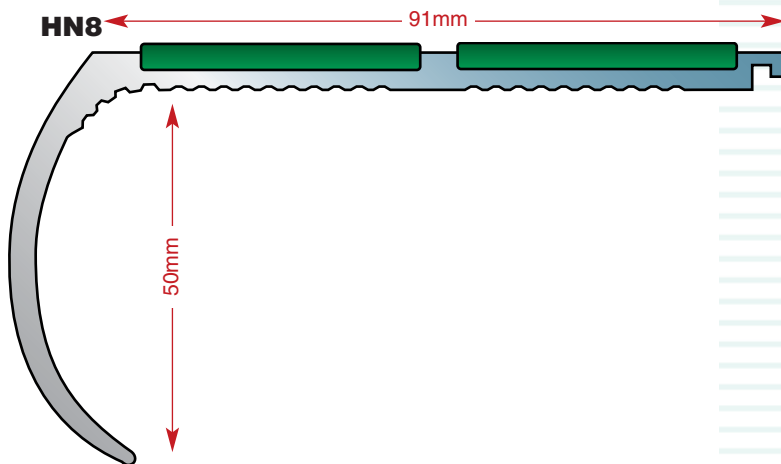
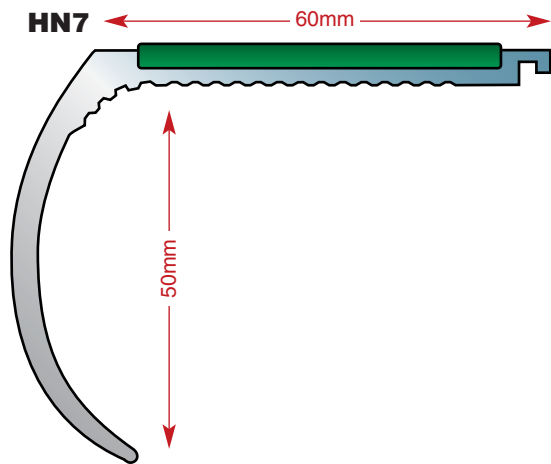
Stock Lengths: 3220mm, 2750mm, 2440mm

Profiles shown full size

For insert colours see page 4

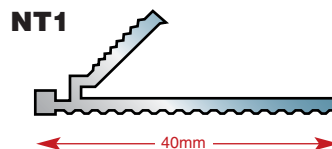
heavyweight range



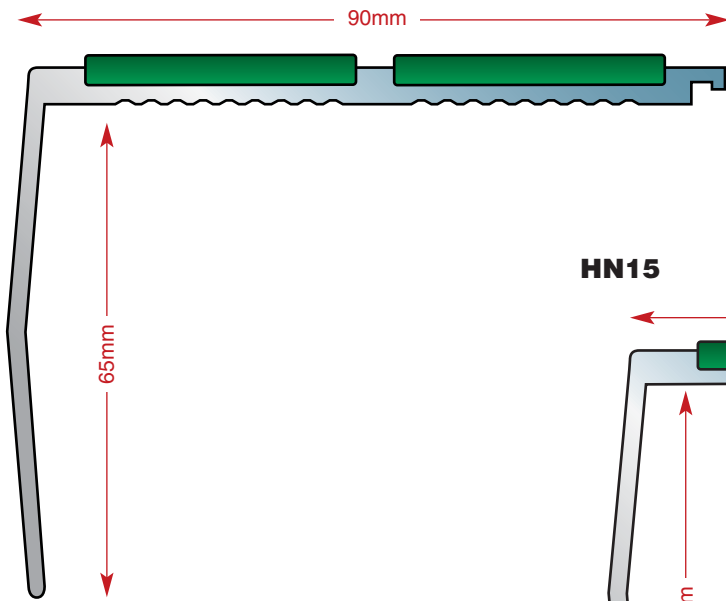


interlocking naplock

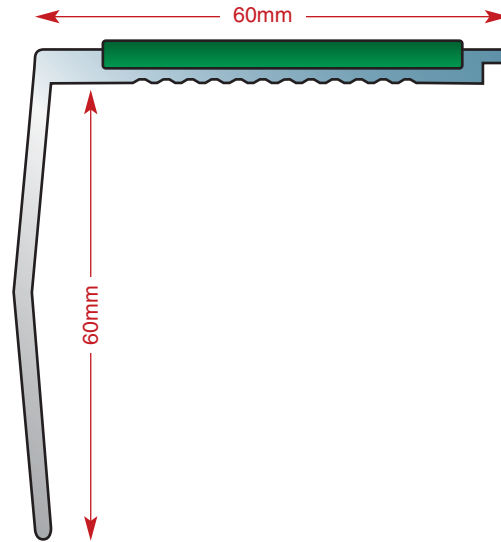
NAP TRIM - For use with heavyweight range. Supplied punched or unpunched. Its function is to hold carpet edge and be closed to provide an attractive finish. Stock length: 3220 and 2750mm



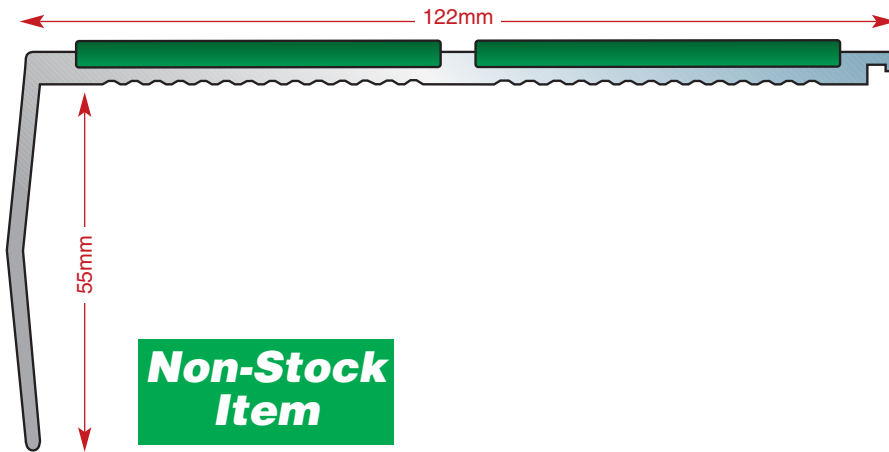
HN14



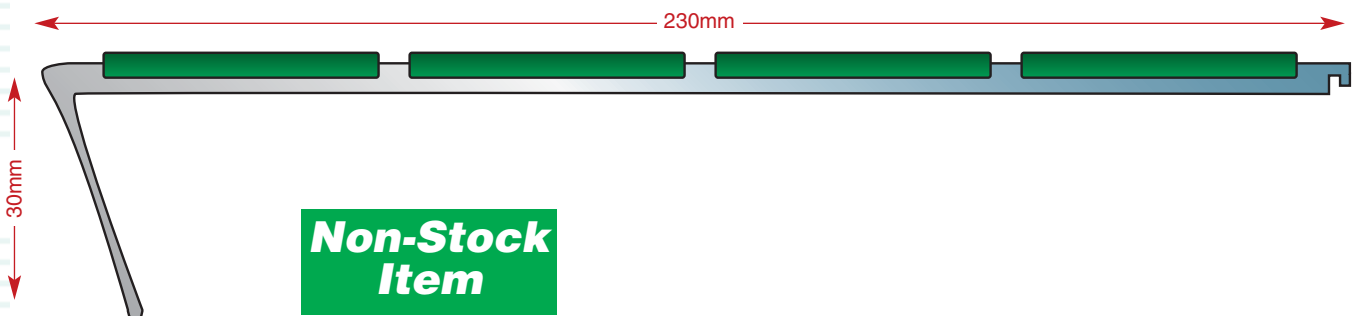
HN15



HN17



HN18 (not to scale)



aluminium stairnosings

All profiles are ex stock

All profiles are available in mill finish, satin gold, satin bronze or mirror flect finishes. Please enquire re delivery.

Aluminium only - no PVC insert

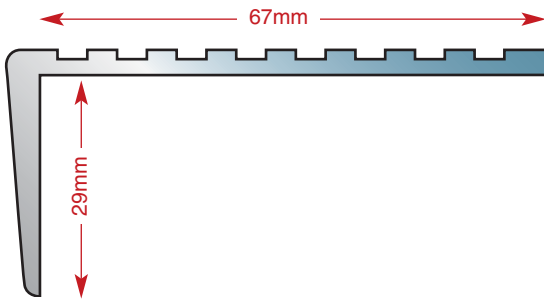
Gauge: 3mm

Stock Lengths: 3220mm, 2750mm, 2440mm

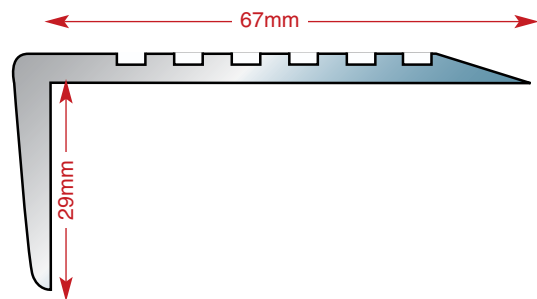
Profiles shown full size

exterior range

SN15



SN19



CURVING

All profiles apart from NT1, SN15, SN19 & HN18, can be supplied preformed into bends, curves or shapes. Orders for the above must be accompanied by a pattern or template detailing main dimensions together with other important details. Please enquire re delivery. NB Preformed profiles would normally be supplied 25mm longer than ordered to allow for trimming on site.

MITRED AND WELDED RETURNS

Available on request

DRILL BITS

Available in high speed steel

| Prod Code | Type | Size | Screw Size |
|-----------|------------|------|-------------------|
| DB1 | Standard | 4mm | No. 6 countersunk |
| DB2 | Heavy Duty | 5mm | No. 8 countersunk |

MEASURING SERVICE

Morleys can provide a measuring service, providing the following criteria are met:

- measure request needs to be accompanied by an order number from contractor and distributor
- Morleys cannot accept responsibility for measures/templates done over existing flooring or stair edgings
- as much information as possible as to number and location of staircases, site details etc. must be given at time of request
- please enquire as to curving lead times at point of placing order
- phone Morleys or local representative with request

INSTALLATION ACCESSORIES

Morley Gripper Adhesive and Fast Setting Gripper Adhesive: designed for fixing nosings and metal trims to concrete, wood, chipboard and tiled floors.

| Prod Code | Contents | Packing |
|-----------|----------------|------------------|
| A2 | 310ml per tube | 12 tubes per box |
| A17 | 310ml per tube | 12 tubes per box |

FAST SETTING - 310ml - A17

Designed specifically for the rapid fixing of aluminium or uPVC stairnosings and other trims to concrete, wood, chipboard, tiled floors etc. Curing time is approximately 1 hour but can often be much quicker, thus saving both time and money.



STANDARD GRIPPER ADHESIVE - 310ml - A2
Designed for the same purpose, this Gripper Adhesive can also be used as a filler.